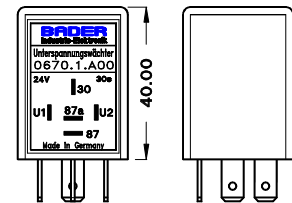
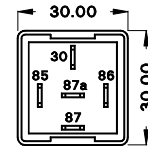
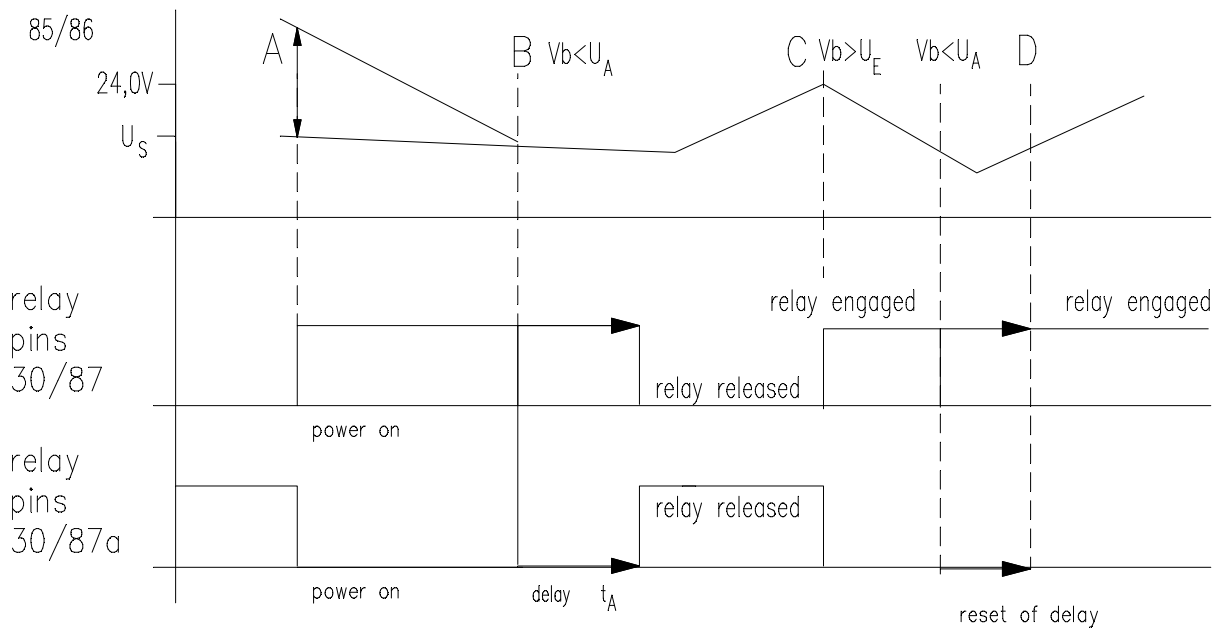


Automobile time relay, undervoltage monitor

Nominal voltage:	12V or 24V DC
Voltage range:	7 to 12V DC or 18 to 34 V
output:	normal open contact
Turn on current:	10 A
Turn off current:	8 A
Steady current/25° C:	10 A
Operating temperature:	-25 to +70°C
Storage temperature:	-25 to +90°C
dimensions:	30 x 30 x 50mm
connector:	6,3 x 0,8 mm FASTON 5-pole



Function example:



- A By connecting a supply voltage $>U_s$ (initial start) the relay immediately engages, which means contacts 30 & 87 are closed, 30 & 87a are open.
- B After reaching supply voltage level below U_A time control starts. Reaching the delay t_A the relay deactivates. (30 & 87 open, 30 & 87a closed)
- C After reaching a supply voltage level above U_E the relay reactivates.
- D While reaching a voltage level below U_A followed by reaching U_E within delay period the delay is reseted. (e.g. in case of motor start)

The relay is used to monitor the operation voltage in case of additional switched loads, e.g. air condition, blowers, converters.

By connecting the operation voltage to terminal U1/U2 the relay locks as soon as the voltage is above of the start threshold U_s . When the voltage drops below the switch-off threshold U_A , the internal time function starts and the relays return to initial state after a delay time t_A .

When the operation voltage increases to the switch-on threshold U_E , the relay locks again after ending of the delay time t_E .

Automobile relay, voltage controlled

Variationes:

Order-no.	Function	U_s Start-threshold	U_A OFF-threshold	U_E ON-threshold	t_A delay time OFF-threshold	t_e delay time ON-threshold
0670.1.A00	Undervoltage turn off 24 V with return	> 22,7 V	< 21,5 V	> 26,0 V	30 sec.	1 sec.
0670.2.A00	Undervoltage turn off 24 V with return	> 24,0 V	< 18,0 V	> 24,0 V	5 sec.	1 sec.
0670.3.A00	Undervoltage turn off 24 V with return	> 23,0 V	< 21,5 V	> 23,0 V	1 sec.	1 sec.
0670.4.A00	Charge control 24 V <i>invers</i> with re- turn	< 27,0 V	> 27,0 V	<26,5 V	2 sec.	2 sec.
0670.5.A00	Voltage control 24 V with return	> 24,5 V	< 22,0 V	> 24,5 V	10 sec.	10 sec.
0670.6.A00	Voltage control 24 V with reclosing	> 24,5 V	< 22,0 V	> 26,0 V	10 sec.	10 sec.
0670.7.A00	Undervoltage turn off 24 V with return	> 24,0 V	< 22,0 V	> 24,0 V	30 sec.	1 sec.
0670.8.A00	Voltage control 24V <i>without return</i>	> 23,0 V	< 21,5 V		3 sec.	
0677.1.A00	Voltage control 12 V with return	> 11,7 V	< 10,5 V	> 13,0 V	30 sec.	1 sec.
0677.2.A00	Voltage control 12 V without return	> 11,7 V	< 10,5 V	> 13,0 V	30 sec.	1 sec.
0677.3.A00	Voltage control 12 V without return	> 11,7 V	< 10,5 V	> 13,0 V	3 sec.	1 sec.