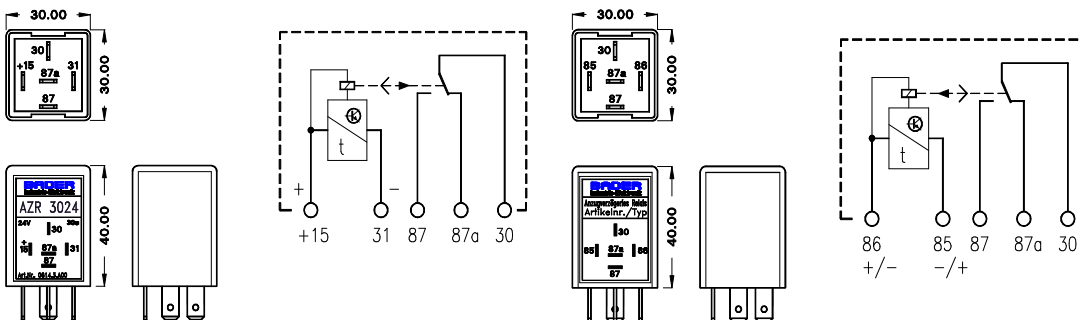


Automobile timer relays, switch- on delay

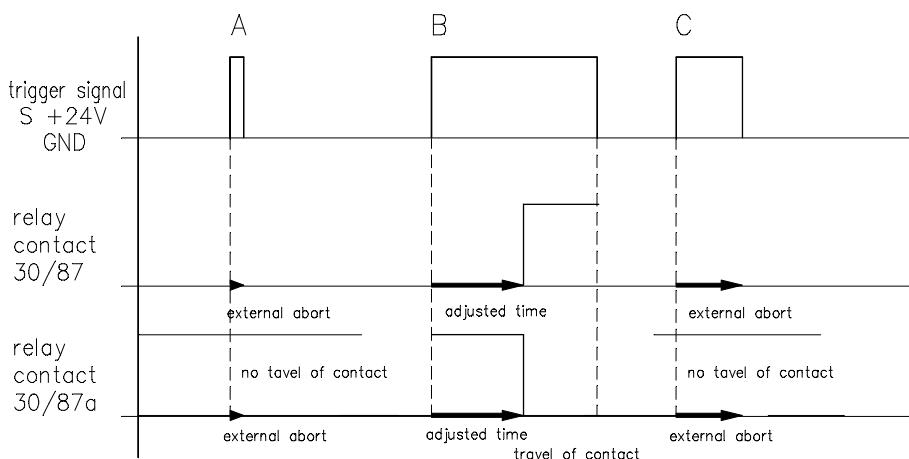
Nominal voltage:	12V or 24V DC			
Voltage range:	10 to 16V DC or 20 to 34 V			
output:	Change over contact			
Turn on current:	20 A			
Turn off current:	10 A			
Steady current/25° C:	10 A			
Operating temperature:	-25 to +70°C			
Storage temperature:	-25 to +90°C			
dimensions:	30 x 30 x 40mm			
connector:	6,3 x 0,8 mm FASTON 5-pole			
Time range (appr.):	0.1- 30s	10 - 300s	100 - 1800s	3 -120s
Article no. 12V	0614.3.B00	0655.1.B00		
Article no. 24V	0614.3.A00	0655.1.A00	0655.2.A00	0655.3.A00

connection drawing: 0614.X.XXX

connection drawing: 0655.X.XXX



Function diagram:



By connecting the operation voltage to terminal 85/86 (+15/31) the time function starts. At the end of the adjustable time the relay locks. A disconnection of the operation voltage before the time has finished will reset the time function too.

The relays has no self holding function. The delay time is adjustable by a potentiometer which is accessible with a screwdriver at the top side of the case.