

Overview motor-/ motorvalve controller

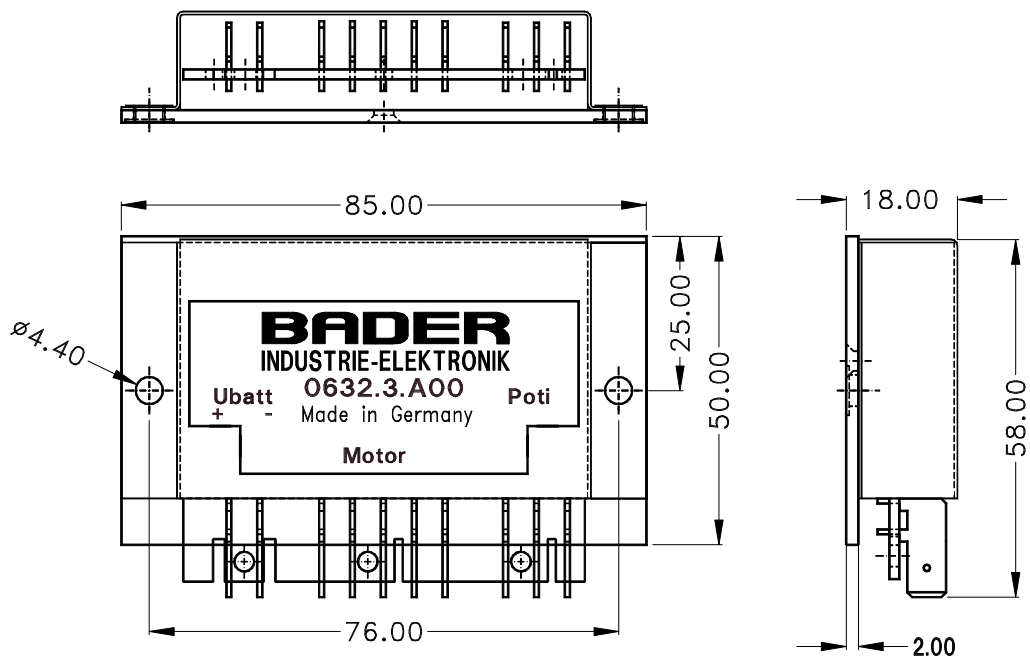
short disconnection of supply voltage.

EVKS 632.3.A00

The EVKS is a *selfcalibrating* control for servomotors (motor valves, motor flaps). External potentiometer sets the desired angle. The connected servomotor with follow-up potentiometer is driven to its position until the follow up voltage corresponds the set point voltage. All connections are protected against shortcut and reverse polarity.

Nominal voltage:	24V DC
Voltage range:	15V to 30V DC
Nominal current:	150mA max.
Shortcut current:	2,5A
Setpoint potentiometer:	10k Ω linear
Follow-up potentiometer:	5k Ω linear
Storage temperature:	-40°C to +105°C
Operation temperature:	-35°C to + 85°C
Connectors:	10 AMP- FASTON 6,3 x 0,8mm
Weight:	ca. 60g

Dimensiones:



Subject to technical modifications!

As of Nov. 2019

BADER
INDUSTRIE-ELEKTRONIK
www.badergmbh.de

Elektroniksysteme für Fahrzeugtechnik und Industrieautomation
71691 Freiberg, Siemensstr.21
Tel: 07141/ 6 8877 - 0 Fax: 07141/ 68877- 22

Registered at the local court Stuttgart HRB 205971. Managing director: Florian Bader.