

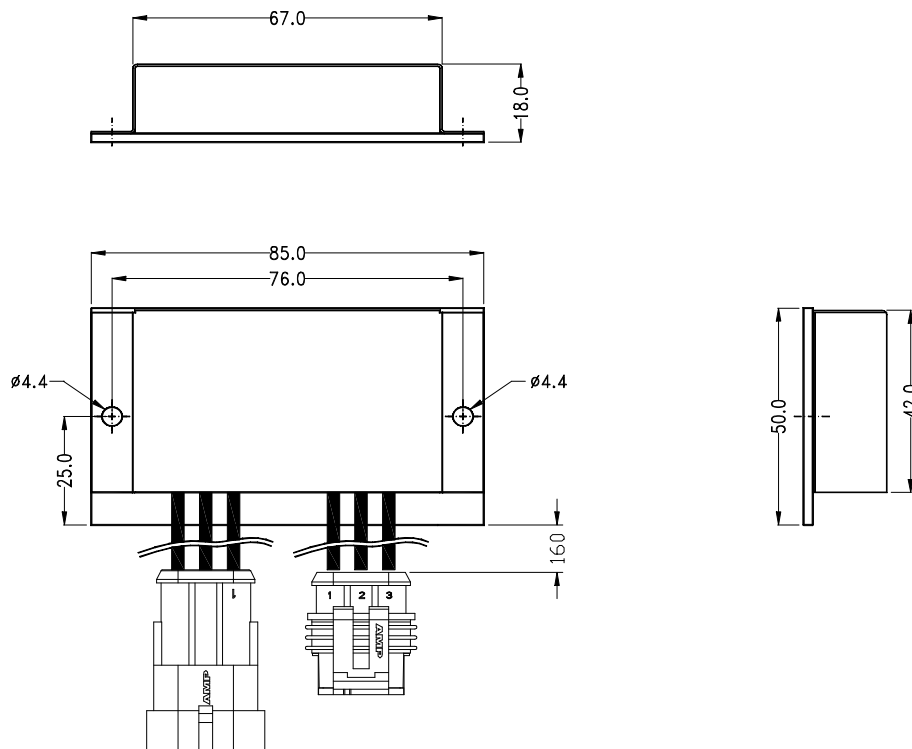
# Product overview Motor-/ Valve control

## 0679.1.A00 Speed control for brushless motors

this electronic power control is used to control speed of brushless blower motors with an external potentiometer. Instead of a potentiometer the unit also can be controlled by external voltage source 0-10V. With an open controll pin the device activates a start up mode and proceeds to maximum speed. In case of a blocked motor the start up is interrupted and a new start up is retried. The output is short-circuit proof.

<b>Nominal voltage:</b>	24V DC
<b>Voltage range:</b>	22V bis 29V DC
<b>Nominal current:</b>	7A
<b>Current consumption without load:</b>	26mA
<b>Recommended Poti:</b>	10kΩ linear
<b>Speed control:</b>	5kΩ-Poti tu ground or control voltage 0-10V
<b>Storage temperature:</b>	-40°C to +105°C
<b>Operating temperature:</b>	-40°C to + 85°C
<b>connection :</b>	3-pin terminal TYCO Superseal-series waterproof
<b>weight:</b>	ca. 150g

### Dimensions:



Subject of change without request!

As of August 2020

**BADER**  
INDUSTRIE-ELEKTRONIK

Elektroniksysteme für Fahrzeugtechnik und Industrieautomation  
Siemensstraße 21  
71691 Freiberg a. N.  
Tel: 07141/ 6 88 77 – 0

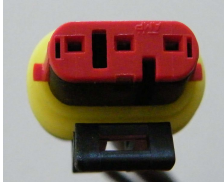
Registered at the local court Stuttgart HRB 205971. Managing director Florian Bader.

# Product overview Motor-/ Valve control

## 0679.1.A00 Speed control for brushless motors

### Connection:

Motor:

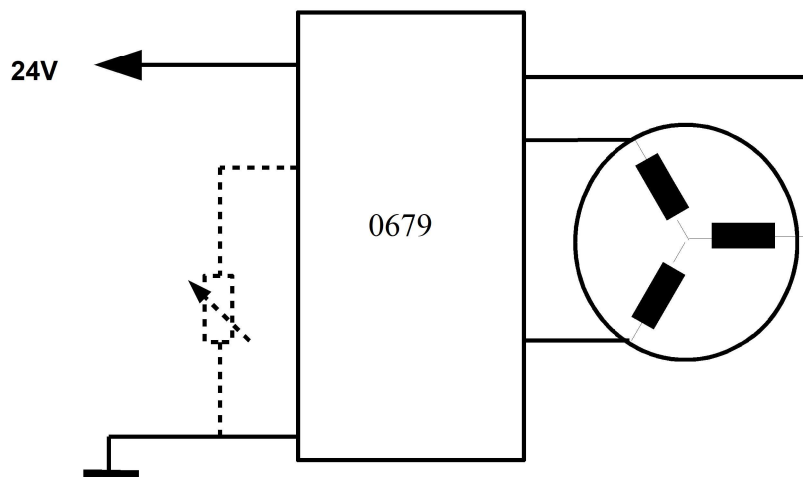


AMP282087-1

supply and control voltage :



AMP282105-1



As of August 2020

**BADER**  
INDUSTRIE-ELEKTRONIK

Elektroniksysteme für Fahrzeugtechnik und Industrieautomation  
Siemensstraße 21  
71691 Freiberg a. N.  
Tel: 07141/ 6 88 77 – 0

Registered at the local court Stuttgart HRB 205971. Managing director Florian Bader.