

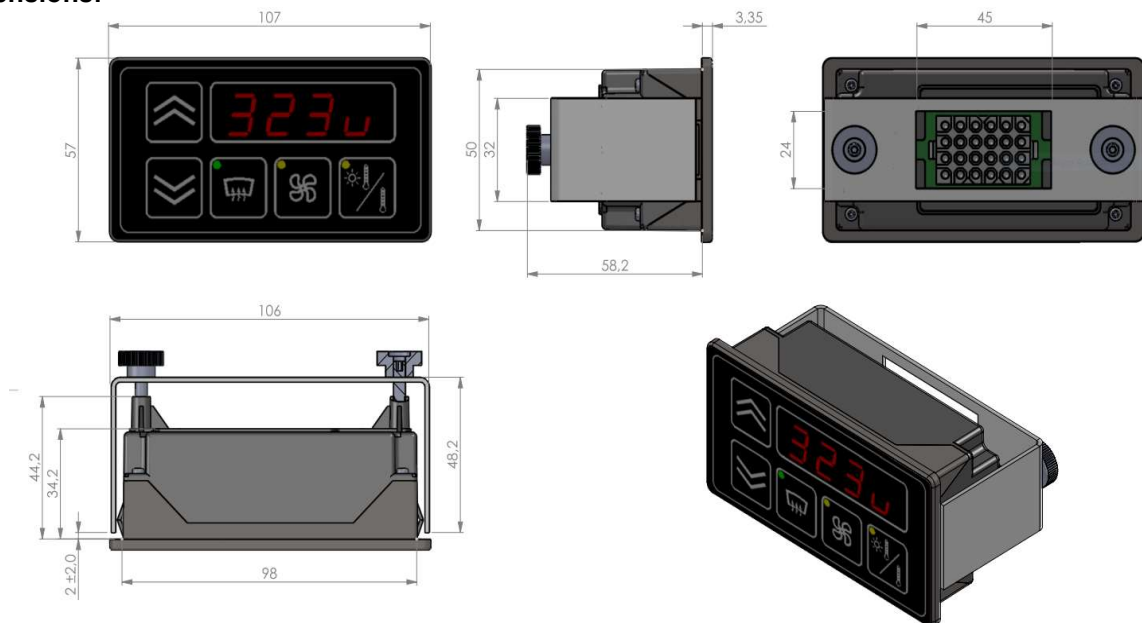
Product overview control panels

KR-323 Universal minicontroller

The KR-323 is a free programmable, microprocessor based minicontroller with plastic foil keyboard and 4-digit 7-segment display. The controller is usable in various applications.

| | |
|-------------------------------|--|
| Nominal voltage: | 12/ 24V DC |
| Voltage range: | 8 to 32V DC |
| Inputs: | 2 digital inputs +24V 4 analog inputs 0...5V |
| Outputs: | 6 (5) digital outputs +24V (0V half bridge, max. 300 mA) 1 analog output 0-24V/ 3mA |
| Interface: | Optional RS 232, CAN- Bus |
| Current consumption: | 22,5 mA at 24 V, without load |
| Operation temperature: | -20°C to +85°C |
| Storage temperature: | -30°C to +85°C |
| Connector: | ITT Cannon Trident, 24 pins |
| Mounting: | Clamping bracket with 2 knurled nuts M4 |

Dimensions:



Subject to technical modifications!

As of Dez.2019

BADER
INDUSTRIE-ELEKTRONIK
www.badergmbh.de

Elektroniksysteme für Fahrzeugtechnik und Industrieautomation
D- 71691 Freiberg, Siemensstr.21
Tel: 07141/ 6 88 77 – 0 Fax: 07141/ 68877-22

Registered at the local court Stuttgart HRB 205971. Managing director: Florian Bader.