

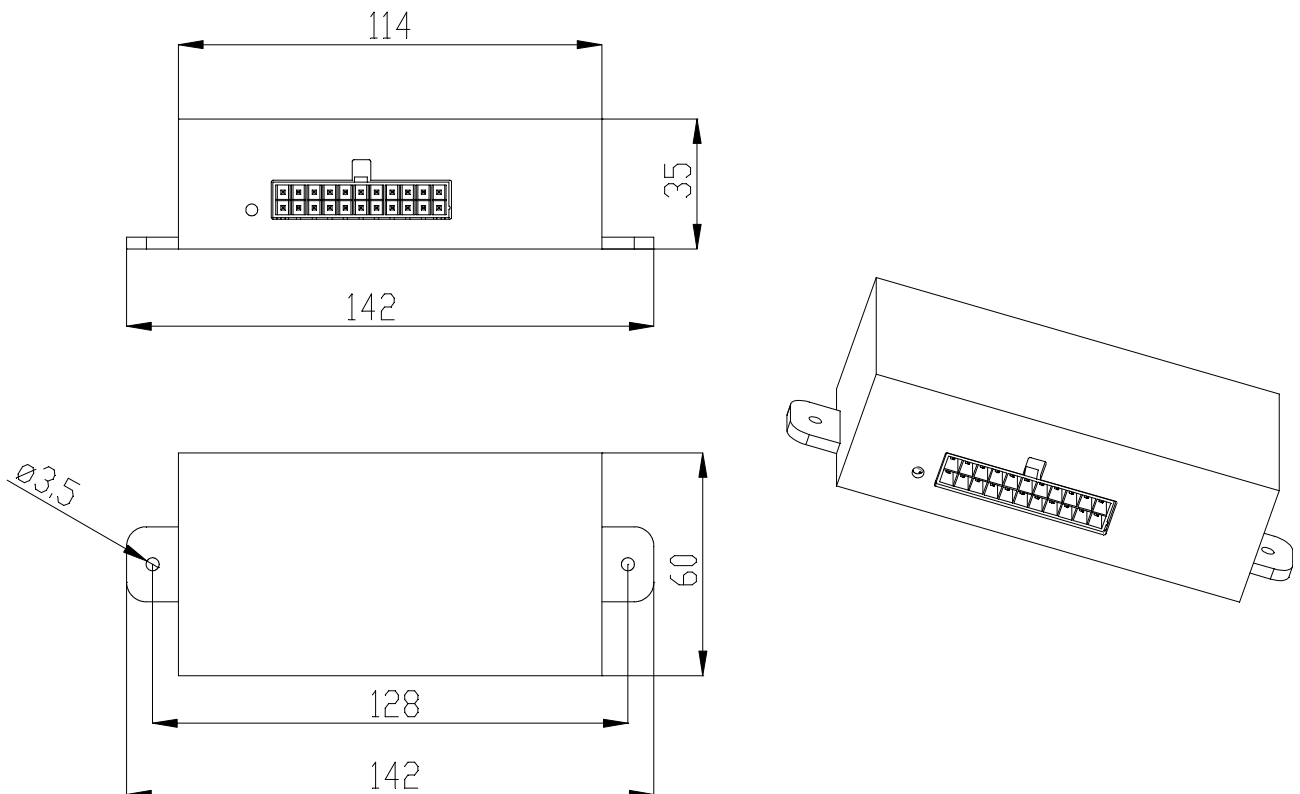
# Overview Control unit

## Control unit 0203.1.A00

Microprocessor controlled stand-alone controller with digital inputs/outputs.

Nominal voltage:	24V DC
Voltage range:	20...30V DC
Digital inputs:	10x ground-active
Outputs:	6 x 200mA Half bridge 2 x 2A, 1x 4A Plus switching 1 x Internal-LED
Storage capacity:	16 kByte FLASH 512 Byte non-volatile memory
Power consumption without load:	< 20mA at 24V
Total current of all outputs:	9,2A max.
Operating temperature:	-40°C to +85°C
Storage temperature:	-40°C to +85°C
Mating connectors:	Socket housing WR-MPC4, 22pol, 2rows 22 x Crimp-Socket contact WR-MPC4, 1.31mm <sup>2</sup>
Weight:	0,09 kg.

Installation dimensions[mm]:



As of August 2020

**BADER**  
INDUSTRIE-ELEKTRONIK

Elektroniksysteme für Fahrzeugtechnik und Industrieautomation  
**D- 71691 Freiberg, Siemensstr.21**  
 Tel: 07141/ 6 88 77 – 0 Fax: 07141/ 68877-22  
 www.badergmbh.de

Registered at the local court Stuttgart HRB 205971. Managing director Florian Bader.