

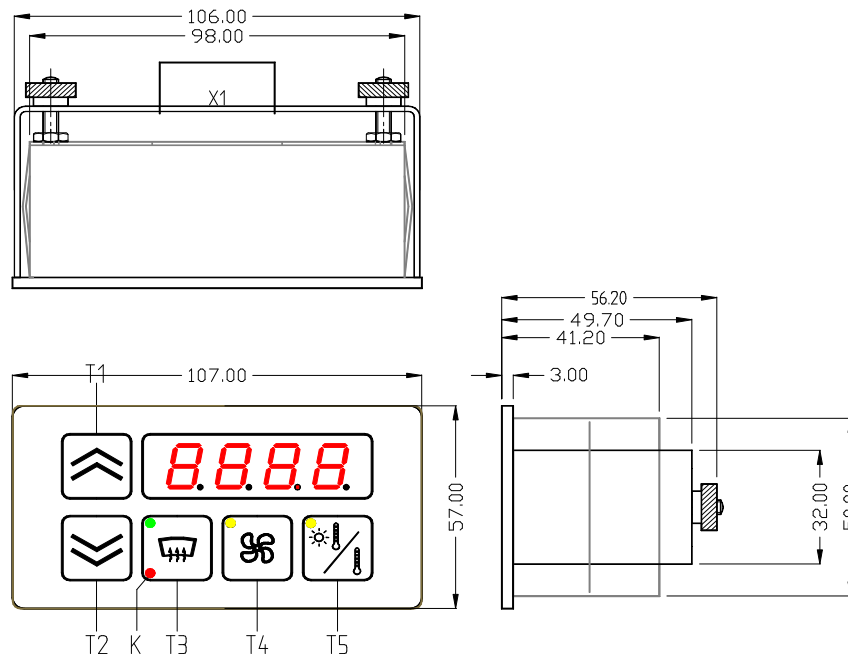
Product overview control panels

KR-323 universal minicontroller

The KR-323 is a free programmable, microprocessor based minicontroller with plastic foil keyboard and 4-digit 7-segment display. The controller is usable in various applications.

Nominal voltage:	12/ 24V DC
Voltage range:	8 to 32V DC
Inputs:	2 digital inputs +24V 4 analog inputs 0...5V
Outputs:	6 (5) digital outputs +24V (0V half bridge, max. 300 mA) 1 analog output 0-24V/ 3mA
Interface:	Optional RS 232, CAN- Bus
Current consumption:	22,5 mA at 24 V, without load
Operation temperature:	-20°C to +85°C
Storage temperature:	-30°C to +85°C
Connector:	ITT Cannon Trident, 24 pole
Mounting:	Clamping bracket with 2 knurled screws M4

Drawing:



Subject to technical modifications!

Sept. 2011

BADER
INDUSTRIE-ELEKTRONIK
www.badergmbh.de

Elektroniksysteme für Fahrzeugtechnik und Industrieautomation
D- 71691 Freiberg, Siemensstr.21
Tel: 07141/ 6 88 77 – 0 Fax: 07141/ 68877-22

Page: 1 of: 2
controlpanels-
e.sdw

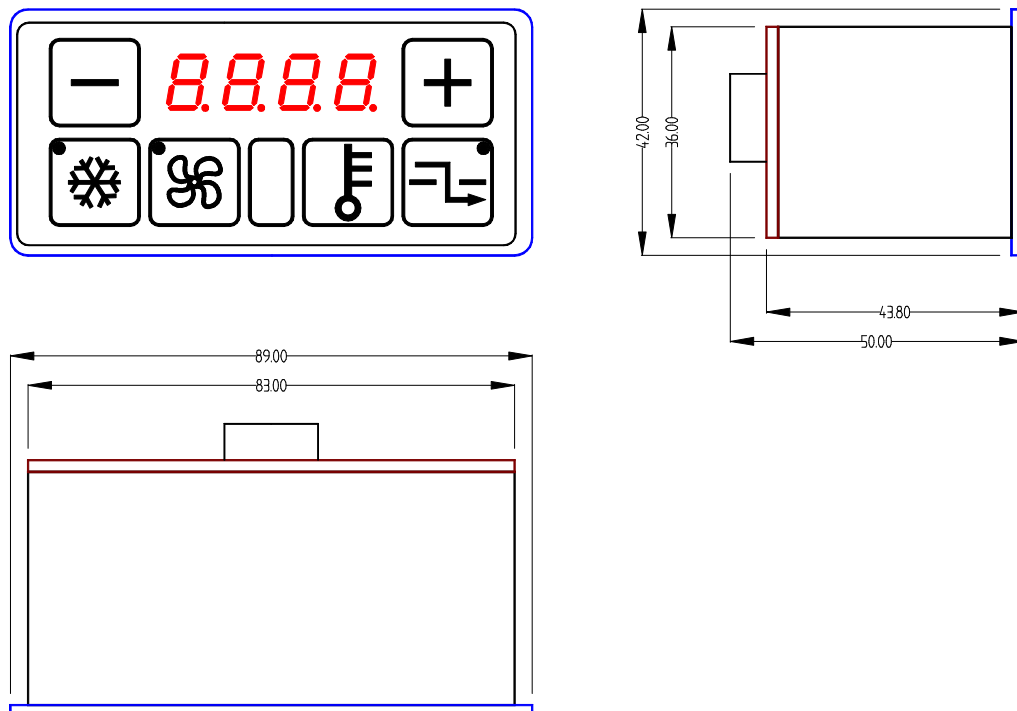
Product overview control panels

BT-415 control panel

The BT-415 is a programmable control panel with plastic foil keyboard and a 4-digit 7-segment display. The control panel is designed for serve our control units. The data exchange takes place with a RS 232 interface.

Nominal voltage:	12V DC/ 24V DC
Voltage range:	12 to 30V DC
Inputs:	1 input 12V/24V for night light
Interface:	RS232 for connection to control unit
Current consumption:	ca. 30mA at 24V
Operation temperature:	-20°C to +85°C
Storage temperature:	-30°C to +90°C
Connector:	ITT-Trident-female connector, 6-pole
Mounting:	2 clamping bracket,

Drawing:



Subject to technical modifications!

Sept. 2011

BADER
INDUSTRIE-ELEKTRONIK
www.badergmbh.de

Elektroniksysteme für Fahrzeugtechnik und Industrieautomation
D- 71691 Freiberg, Siemensstr.21
Tel: 07141/ 6 88 77 – 0 Fax: 07141/ 68877-22

Page: 2 of: 2
controlpanels-
e.sdw