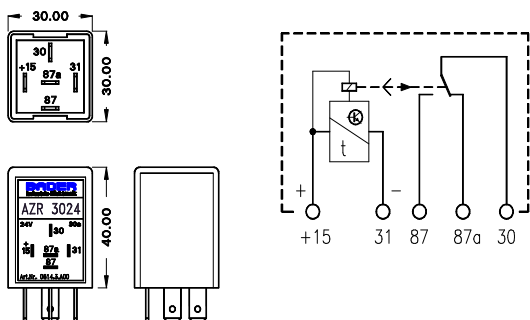


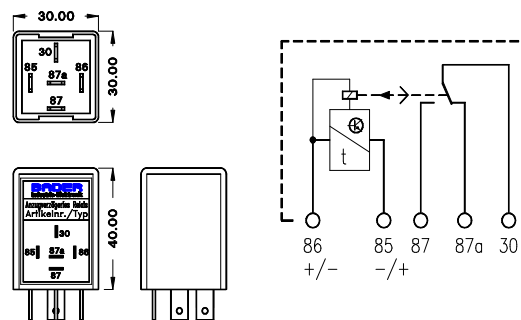
Automobile timer relays, switch- on delay

| | | | | |
|-------------------------------|------------------------------------|------------|-------------|------------|
| Nominal voltage: | 12V or 24V DC | | | |
| Voltage range: | 10 to 16V DC or 20 to 34 V | | | |
| output: | Potential free normal open contact | | | |
| Turn on current: | 20 A | | | |
| Turn off current: | 10 A | | | |
| Steady current/25°C: | 10 A | | | |
| Operating temperature: | -25 to +70°C | | | |
| Storage temperature: | -25 to +90°C | | | |
| dimensions: | 30 x 30 x 40mm | | | |
| connector: | 6,3 x 0,8 mm FASTON 5-pole | | | |
| Time range (appr.): | 0.1- 30s | 10 - 300s | 100 - 1800s | 3 -120s |
| Article no. 12V | 0614.3.B00 | 0655.1.B00 | | |
| Article no. 24V | 0614.3.A00 | 0655.1.A00 | 0655.2.A00 | 0655.3.A00 |

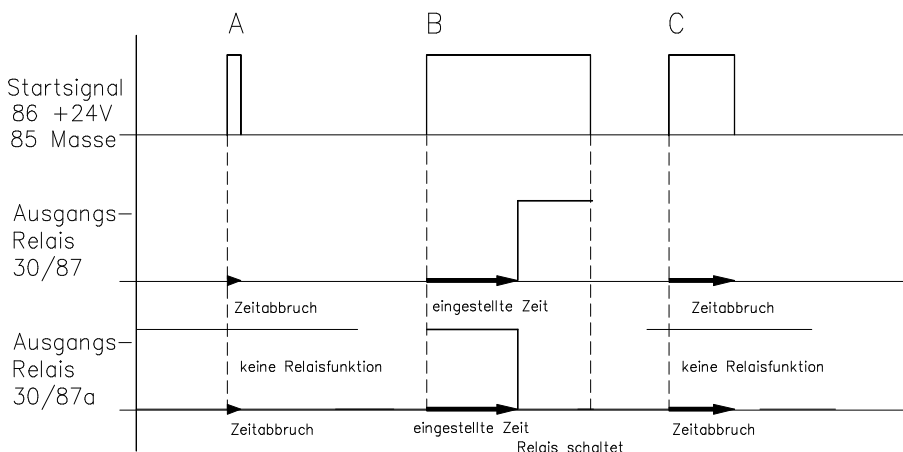
connection drawing: 0614.X.XXX



connection drawing: 0655.X.XXX



Function diagram:



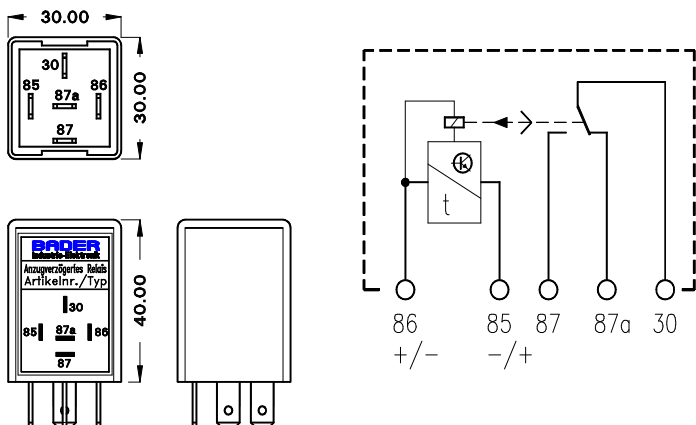
By connecting the operation voltage to terminal 85/86 (+15/31) the time function starts. At the end of the adjustable time the relay locks. A disconnection of the operation voltage before the time has finished will reset the time function too.

The relays has no self holding function. The delay time is adjustable. The potentiometer is accessible with a screwdriver at the top side of the case.

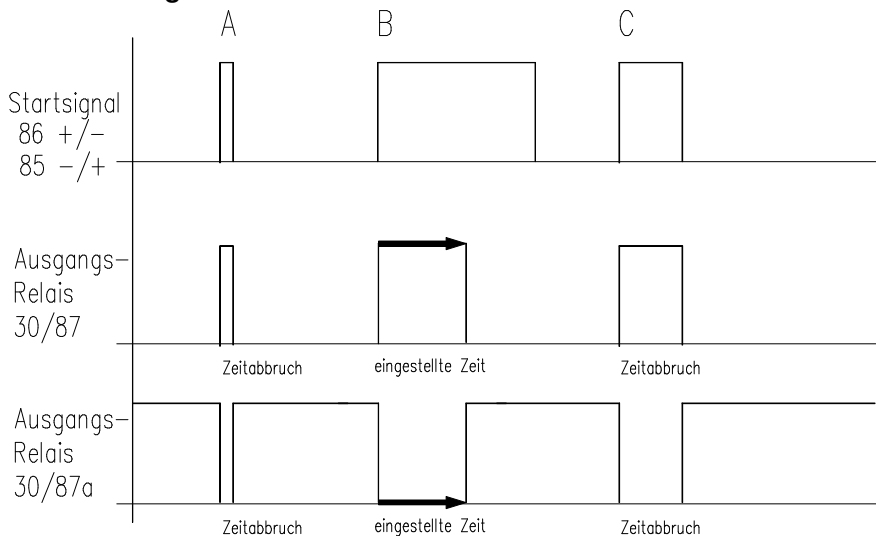
Automobile time relays, switch off delay

| | | | |
|-------------------------------|------------------------------------|------------|------------|
| Nominal voltage: | 12V or 24V DC | | |
| Voltage range: | 10 to 16V DC or 20 to 34 V DC | | |
| output: | Potential free normal open contact | | |
| Turn on current: | 20 A | | |
| Turn off current: | 10 A | | |
| Steady current/25° C: | 10 A | | |
| Operating temperature: | -25 to +70°C | | |
| Storage temperature: | -25 bis +90°C | | |
| dimensions: | 30 x 30 x 40mm | | |
| connector: | 6,3 x 0,8 mm FASTON 5-pole | | |
| Time range: | 0.1 -0.6s | 1 - 30s | 60 - 300s |
| Article no. 12V | | 0625.1.B00 | |
| Article no. 24V | 0618.2.A00 | 0625.1.A00 | 0618.3.A00 |

connection drawing:



Function diagram:

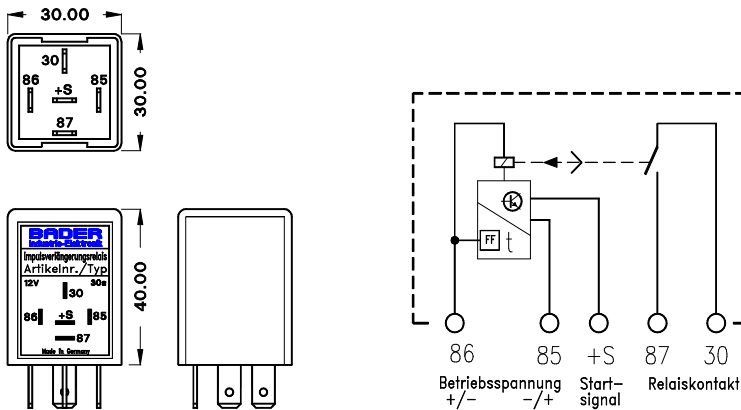


By connecting the operation voltage to terminal 85/86 the relays locks and the time function starts. After the adjusted time the relays returns to the initial state. When the operation voltage is disconnected before the time has finished, the relay returns to the initial state too. The delay time is adjustable. The potentiometer is accessible with a screwdriver at the top side of the case.

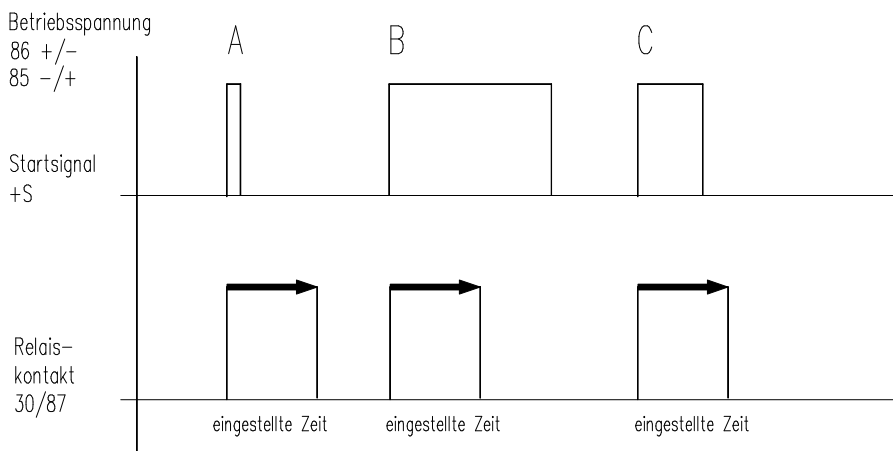
Automobile time relay, impuls extended

| | | | | |
|-------------------------------|------------------------------------|------------|------------|------------|
| Normal voltage: | 12V or 24V DC | | | |
| Voltage range: | 10 to 16V DC or 20 to 34 V DC | | | |
| output: | Potential free normal open contact | | | |
| Turn on current: | 20 A | | | |
| Turn off current: | 10 A | | | |
| Steady current/25 ° C: | 10 A | | | |
| Operating temperature: | -25 to +70 °C | | | |
| Storage temperature: | -25 to +90 °C | | | |
| dimensions: | 30 x 30 x 40mm | | | |
| connector: | 6,3 x 0,8 mm FASTON 5-pole | | | |
| Time range: | 1 -10s | 1 - 30s | 1 - 60s | 1 - 300s |
| Article no. 12V | 0625.1.B10 | | | 0625.1.B12 |
| Article no. 24V | | 0625.1.A11 | 0625.2.A11 | 0625.1.A12 |

connection drawing:



Function diagram:

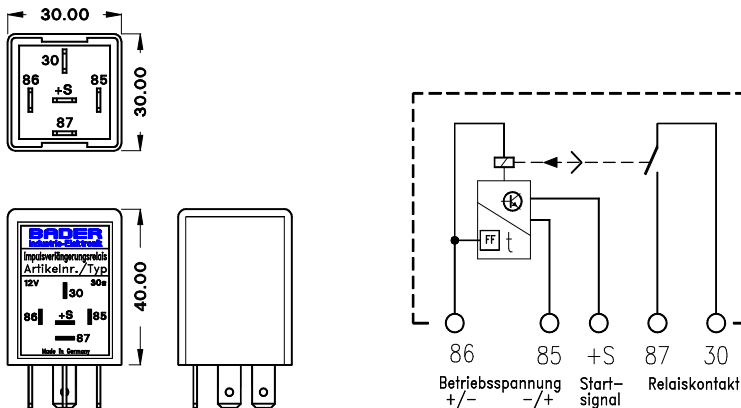


The operation voltage is connected to terminals 85/86. With a positiv start impuls at terminal S the Relays activates the self holding function and unlocks after the adjusted time.
The time function can be deactivated with disconnection of the operation voltage.

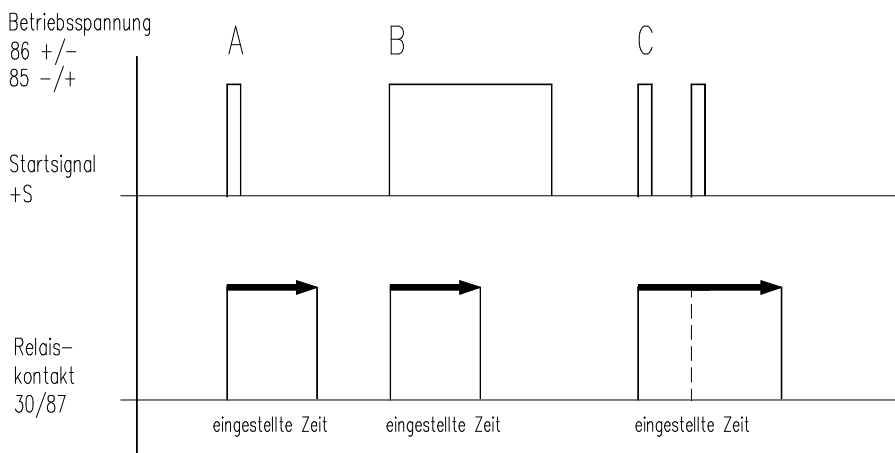
Automobil time relay, impuls extended, retriggerable

| | | | |
|-------------------------------|------------------------------------|--|------------|
| Normal voltage: | 12V or 24V DC | | |
| Volatge range: | 10 to 16V DC or 20 to 34 V DC | | |
| output: | Potential free normal open contact | | |
| Turn on current: | 20 A | | |
| Turn off current: | 10 A | | |
| Steady current/25 ° C: | 10 A | | |
| Operation temperature: | -25 to +70 °C | | |
| Storage temperature: | -25 to +90 °C | | |
| dimensions: | 30 x 30 x 40mm | | |
| connection: | 6,3 x 0,8 mm FASTON 5-pole | | |
| Time value: | 0.5 - 10s | | 1 - 60s |
| Article no. 12V | 0627.1.B00 | | 0627.1.B01 |
| Article no. 24V | 0627.1.A00 | | 0627.1.A01 |

Connection drawing:



Function diagram:



The operation voltage is connected to terminals 85/86. With a positiv start impuls at terminal S the Relays activates the self holding function and will unlock after the adjusted time. When a new start impuls is activated during the time function, the time starts once more (retriggerable). The time function can be deactivated only by disconnection of the operation voltage.